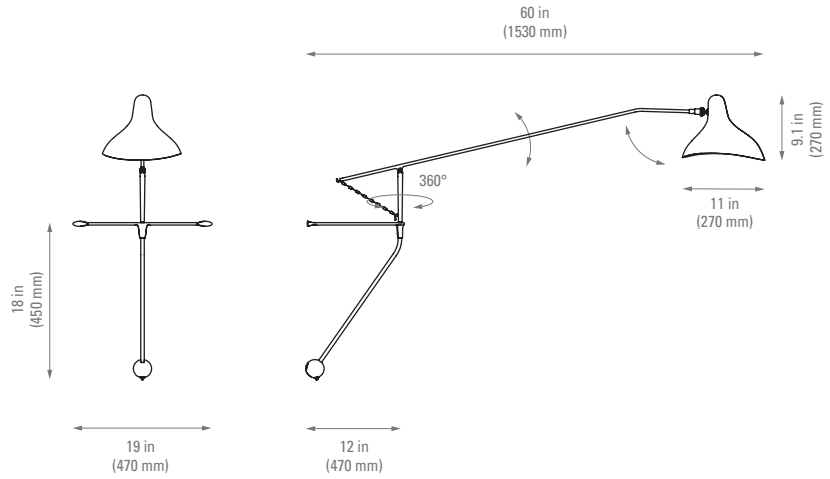


MANTIS BS2

by Bernard Schottlander



TECHNICAL SHEET

North America standards

FICHE TECHNIQUE

normes Nord Américaines



WALL LAMP

APPLIQUE

| | |
|-------------------|---|
| Materials | Body: steel Shade: aluminium |
| Matériaux | Corps: acier Réflecteur: aluminium |
| Net weight | 4,3 kg |
| Poids net | |
| Base | NA |
| Embase | |
| Packaging | 57.87 × 18.5 × 17.32 in |
| Emballage | 1470 × 470 × 440 mm |
| IP | 20 |
| IP | |

| | |
|------------------------|---------------------------------|
| Voltage | 110V |
| Tension | |
| Class | 2 |
| Classe | |
| Watt | 40W |
| Watt | |
| Bulb type | E12 LED |
| Type d'ampoule | |
| Lumens output | 4000lm (estimated value) |
| Lumens | 4000lm (valeur estimée) |
| Driver | NA |
| Driver | |
| Wire | Fabric, length : 79 in |
| Câble | Tissu, longueur : 2000 mm |
| Switch | On the lamp |
| Interrupteur | Sur la lampe |
| Switch distance | NA |
| Distance interrupteur | |
| Plug | A |
| Fiches | |

CORPS **BODY**



Black

BL